

The Nidec logo is displayed in a green, italicized font within a white rectangular box that is part of a larger black and white graphic element.

Power

TRACTELEC TF3/TM3



LEROY-SOMER[™]

Tractor PTO Generator

Don't be left without power!



Tractor PTO Generator

TRACTELEC designed to protect your farm in the event of a power cut. It is easily transportable thanks to its three-point fitting system, TRACTELEC quickly connects to your tractor hitch and PTO. In only a few minutes, you get emergency power supply for all your installations, in three-phase or single-phase.

TRACTELEC is suitable for most tractors on the market. It is compatible with category 1 or 2 three-point hitch systems for a shaft output power up to 92 kW. Thanks to its adjustable differential switch, TRACTELEC adapts to your needs to provide the right electric current to your equipment, without interruption. Total safety: in the event of a load impact, TRACTELEC automatically limits the voltage to preserve the tractor engine. Protective circuit breakers complete the safety of the system.

Nidec Power has been supplying energy production systems to the agricultural world for over 30 years. With TRACTELEC, you are sure to have the right equipment with a proven, robust and durable design.

TRACTELEC exists in 2 versions:

- **Mobile version (TM)**, on a chassis for use on category 1 or 2 three-point hitch system (ISO 730 standard), with power take out torque power up to 92 kW
- **Fixed version (TF)**, without a chassis for use as a fixed unit

TRACTELEC is equipped with electrical protection and a distribution board:

Electrical board	Standard	Three-phase (option)	Single phase (option)
Security differential switch with adjustable threshold, factory setting of 30 mA	✓	✓	✓
Four-pole thermal magnetic circuit breaker	✓	✓	
Two-pole thermal magnetic circuit breaker	✓		✓
Single-phase male + female sockets (2P+E)	X1		X2
Three-phase male + female sockets (3P+N+E)	X1	X2	
Voltmeter and frequency meter visible from the tractor	✓	✓	✓

Option: - Filter on air inlet with 5% derating
- Filter on air inlet and outlet (IP44) with 10% derating



A current reversing switch must without fail be placed between the mains supply and the TRACTELEC. Consult your electrician to make the connection. Any modification of the differential security switch threshold beyond 30 mA is the sole responsibility of the user.

The Leroy-Somer™ TRACTELEC range meets all key international standards and regulations, including IEC 60034, NEMA MG 1.32-33, ISO 8528-3, UL 1446 and bears EC, UKCA and CMIM markings. TRACTELEC is designed, manufactured and marketed in an ISO 9001 and ISO 14001 quality assurance environment.



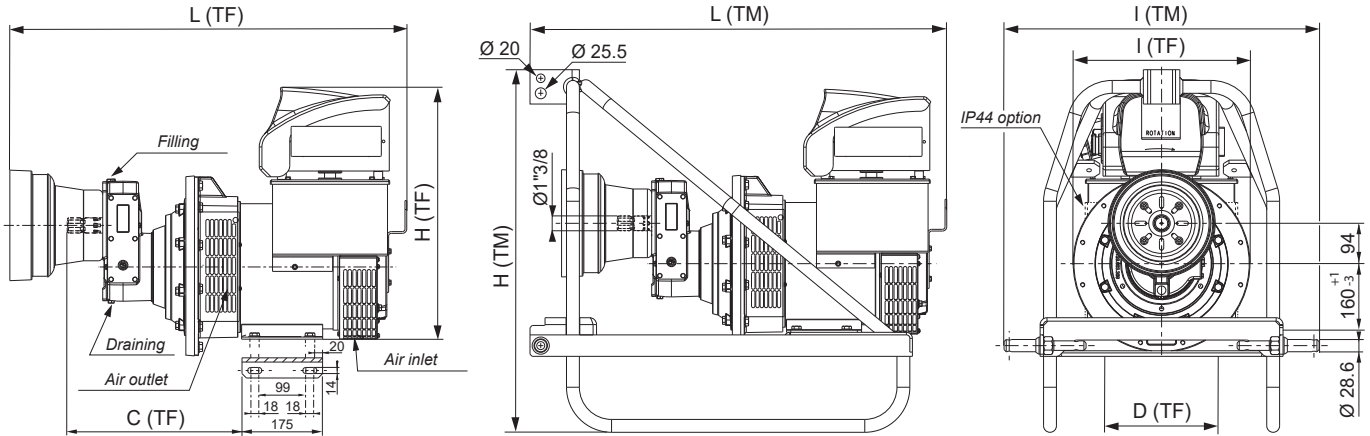
▶ TF3 / TM3 three-phase range: 50 Hz - 400 V - P.F. 0.8 - 4 poles - 1500 R.P.M.

Type	Continuous output 40°C - kVA		Stand-by 27°C - kVA		Starting capacity** kVA 30%	Power take-off shaft speed R.P.M.	Min. power (take-off shaft) H.P.	Protection circuit breaker rating A
	IP23	IP44*	IP23	IP44*				
TF3 / TM3 16.5	15	13.5	16.5	14.85	28	429	22	25
TF3 / TM3 20	17.5	15.75	19.5	17.55	34	429	27	32
TF3 / TM3 27.5	25	22.5	27.5	24.75	37	429	36	40
TF3 / TM3 30	27	24.3	30	27	40	429	39	40
TF3 / TM3 35	32	28.8	35	31.5	48	429	45	50
TF3 / TM3 40	36	32.4	40	36	66	420	51	63
TF3 / TM3 45	40	36	45	40.5	66	420	57	63
TF3 / TM3 50	45	40.5	50	45	73	420	63	80
TF3 / TM3 55	50	45	55	49.5	86	420	70	80
TF3 / TM3 66	60	54	66	59.4	100	420	83	100

* Option

** 30% voltage dip - P.F. 0.6

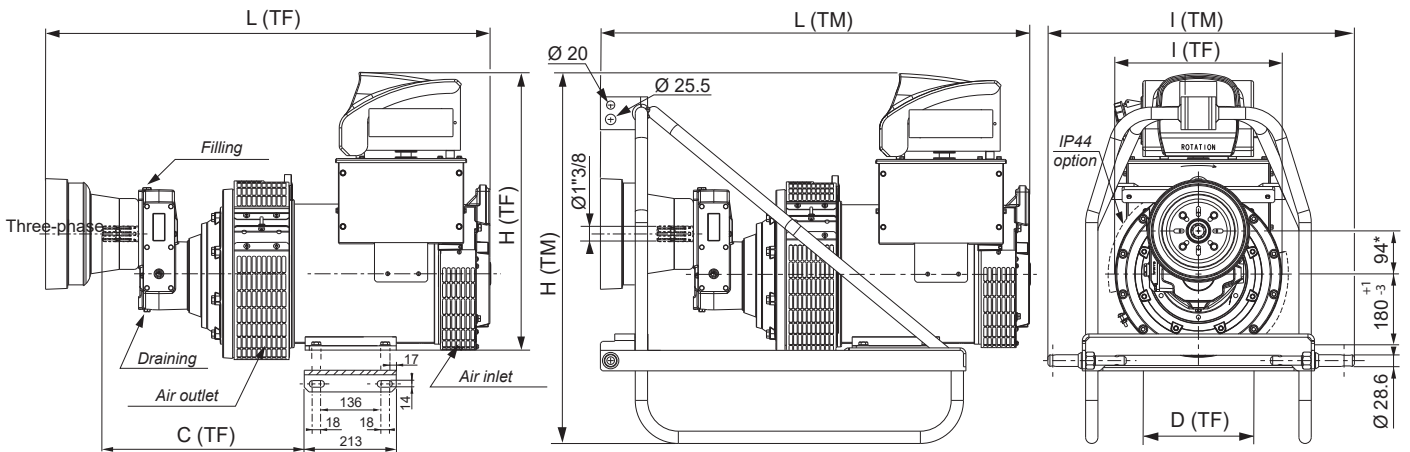
▶ 16.5 and 20 kVA range



Dimensions and weight

Type	TF3 (fixed version)						TM3 (mobile version)			
	H (mm)	L (mm)	I (mm)	C (mm)	D (mm)	Weight (kg)	H (mm)	L (mm)	I (mm)	Weight (kg)
TF3 / TM3 16.5	566	898	412	394	230	115	845	971	734	150
TF3 / TM3 20	566	898	412	394	230	120	845	971	734	155

▶ 27.5 to 66 kVA range



* For 40, 45, 50, 55 and 66 kVA: 105 mm

Dimensions and weight

Type	TF3 (fixed version)						TM3 (mobile version)			
	H (mm)	L (mm)	I (mm)	C (mm)	D (mm)	Weight (kg)	H (mm)	L (mm)	I (mm)	Weight (kg)
TF3 / TM3 27.5	669	926	406	433.5	279	152	902	968	734	188
TF3 / TM3 30	669	926	406	433.5	279	160	902	968	734	195
TF3 / TM3 35	669	926	406	433.5	279	169	902	968	734	204
TF3 / TM3 40	669	1008	406	495.75	279	195	902	1008	734	230
TF3 / TM3 45	669	1008	406	495.75	279	195	902	1008	734	230
TF3 / TM3 50	669	1048	406	495.75	279	209	902	1048	734	244
TF3 / TM3 55	669	1048	406	495.75	279	217	902	1048	734	249
TF3 / TM3 66	669	1101	455	518.75	279	227	902	1101	734	262

NOTE: Dimensions are for information only and may be subject to modifications. Contractual 2D (.pdf format) drawings can be downloaded from the Nidec Power website, 3D drawing files are available upon request.



www.nidecpower.com

Connect with us at:



© 2024 Moteurs Leroy-Somer SAS. The information contained in this brochure is for guidance only and does not form part of any contract. The accuracy cannot be guaranteed as Moteurs Leroy-Somer SAS have an ongoing process of development and reserve the right to change the specification of their products without notice.

Moteurs Leroy-Somer SAS. Headquarters: Bd Marcellin Leroy, CS 10015, 16915 Angoulême Cedex 9, France. Share Capital: 32,239,235 €, RCS Angoulême 338 567 258.