

**Nidec**

Power

# GEARLEC GT3



**LERROY-SOMER**<sup>™</sup>

Alternator with Speed Multiplier  
for Tractor PTO

# Don't be left without power!



## Alternator with Speed Multiplier for Tractor PTO

GEARLEC is designed for fixed use as emergency power for buildings or agricultural tools. It helps secure energy for farms at a lower cost by taking advantage of the mechanical power produced by tractors.

**With a robust and reliable design**, GEARLEC is an effective protection against the climatic and technological hazards that can affect modern farms.



**Prior to use, GEARLEC should be equipped with an electrical distribution, protection and control panel, in compliance with local regulations currently in force.**

GEARLEC is equipped with optional filters on air inlet with 5% derating, and on air inlet and outlet (IP44) with 10% derating.

The Leroy-Somer™ GEARLEC range meets all key international standards and regulations: EC, UKCA and CMIM markings, IEC 60034, NEMA MG 1.32-33, UL 1446, ISO 8528-3. GEARLEC is designed, manufactured and marketed in an ISO 9001 and ISO 14001 environment.

### ► GT3 3 phase range: 50 Hz - 400 V - P.F. 0.8 - 4 pole - 1500 R.P.M.

Type	Continuous output 40°C - kVA		Stand-by 27°C - kVA		Starting capacity** kVA 30%	Min. power (take-off shaft) H.P.
	IP23	IP44*	IP23	IP44*		
GT3 16.5	15	13.5	16.5	14.85	28	22
GT3 20	17.5	15.75	19.5	17.55	34	27
GT3 27.5	25	22.5	27.5	24.75	37	36
GT3 30	27	24.3	30	27	40	39
GT3 35	32	28.8	35	31.5	48	45
GT3 40	36	32.4	40	36	66	51
GT3 45	40	36	45	40.5	66	57
GT3 50	45	40.5	50	45	73	63
GT3 55	50	45	55	49.5	86	70
GT3 66	60	54	66	59.4	100	83

\* Option

\*\* 30% Voltage dip - P.F. 0.6

Power take-off shaft speed: 429 R.P.M.

### ► GT3 3 phase range: 60 Hz - 480 V - P.F. 0.8 - 4 pole - 1800 R.P.M.

Type	Continuous output 40°C - kVA		Stand-by 27°C - kVA		Starting capacity** kVA 30%	Min. power (take-off shaft) H.P.
	IP23	IP44*	IP23	IP44*		
GT3 16.5	19	17.1	21	18.9	34	25
GT3 20	22	19.8	24	21.6	40	29
GT3 27.5	31.5	28.35	34.5	31.05	45	41
GT3 30	34	30.6	37.5	33.75	48	45
GT3 35	40	36	44	39.6	58	51
GT3 40	44	39.6	48.5	43.65	79	55
GT3 45	50	45	55	49.5	79	63
GT3 50	56.5	50.85	62	55.8	88	71
GT3 55	62.5	56.25	69	62.1	104	78
GT3 66	75	67.5	82.5	74.25	119	93

\* Option

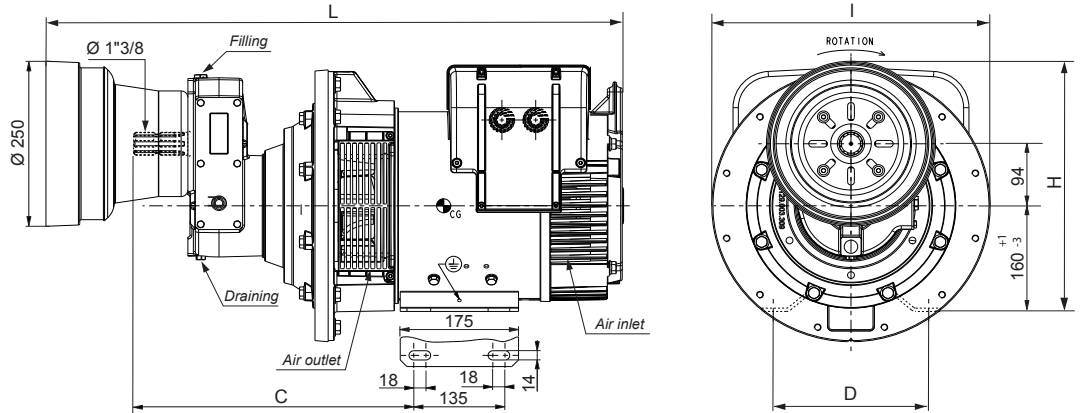
\*\* 30% Voltage dip - P.F. 0.6

Power take-off shaft speed: 514 R.P.M.

# GEARLEC

An alternative source of energy production essential in modern agricultural operations, as a safeguard in the event of a power failure or for use in areas without electricity.

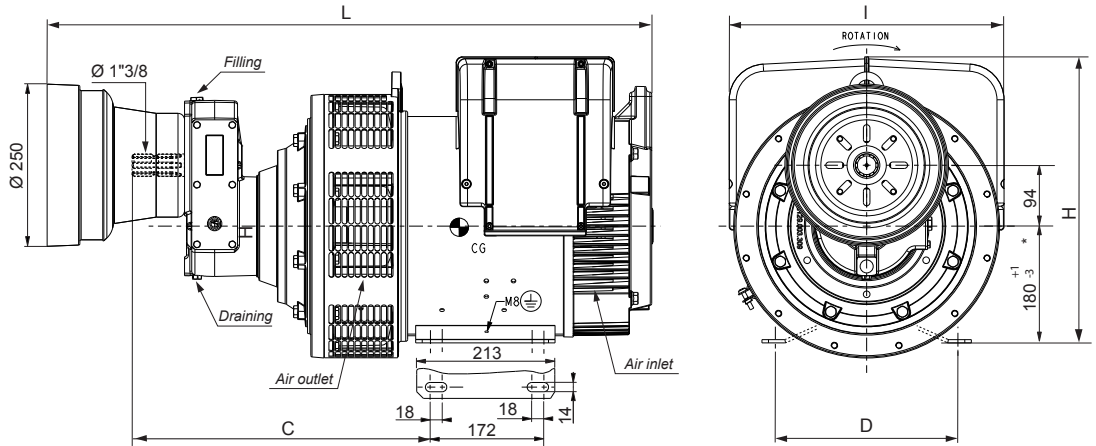
## ► 16.5 - 20 kVA range



Dimensions (mm) and weight (kg)

Type	H (mm)	L (mm)	I (mm)	C (mm)	D (mm)	Weight (kg)
GT3 16.5	379	852.5	412	414.35	230	118
GT3 20	379	852.5	412	414.35	230	123

## ► 27.5 - 66 kVA range



\* For 40, 45, 50, 55 and 66 KVA: 105 mm

Dimensions (mm) and weight (kg)

Type	H (mm)	L (mm)	I (mm)	C (mm)	D (mm)	Weight (kg)
GT3 27.5	441	926	420	457.5	279	152
GT3 30	441	926	420	457.5	279	157
GT3 35	441	926	420	457.5	279	168
GT3 40	441	1008	420	520	279	193
GT3 45	441	1008	420	520	279	193
GT3 50	441	1048	420	520	279	208
GT3 55	441	1048	420	520	279	213
GT3 66	450.5	1101	455	542.75	279	230

**NOTE :** Dimensions are for information only and may be subject to modifications. Contractuel 2D (.pdf format) drawings can be downloaded from the Nidec Power website, 3D drawing files are available upon request.



[www.nidecpower.com](http://www.nidecpower.com)

Connect with us at:



© 2024 Moteurs Leroy-Somer SAS. The information contained in this brochure is for guidance only and does not form part of any contract. The accuracy cannot be guaranteed as Moteurs Leroy-Somer SAS have an ongoing process of development and reserve the right to change the specification of their products without notice.

Moteurs Leroy-Somer SAS. Headquarters: Bd Marcellin Leroy, CS 10015, 16915 Angoulême Cedex 9, France. Share Capital: 32,239,235 €, RCS Angoulême 338 567 258.